

# Installation Guide and Care Instructions



## Starter Pack – One panel

*Listed here are all the features built into the Modiwall system*

- Easy swopping of plant pots
- Swivel of 15 degrees of panels for curved walls
- The use of wicks and capillary action to draw moisture from the panels into the soil for optimal soil moisture
- Pots can accommodate soil & hydroponic mediums, depending on the requirements of the planted system
- Containment of moisture inside the system
- Recycled plastic used for manufacturing
- Indoor and outdoor use
- Panels can be suspended from one another (hanging from top down) thus not necessary for a supporting wall
- The pots have easy knock-out holes at the bottom, if the user prefers the moisture to drain out from below (for outdoor installations)
- Male and female parts easily slide into one another
- There is an indentation to securely hold an 8mm nut in the back panel, thus allowing the front and back panels to be fastened to one another without the need of a supporting structure
- The inside channel ribs of the panels are independently sealed from one another on the inside
- An alignment clip, so panels are perfectly aligned when drilling holes

## Plants

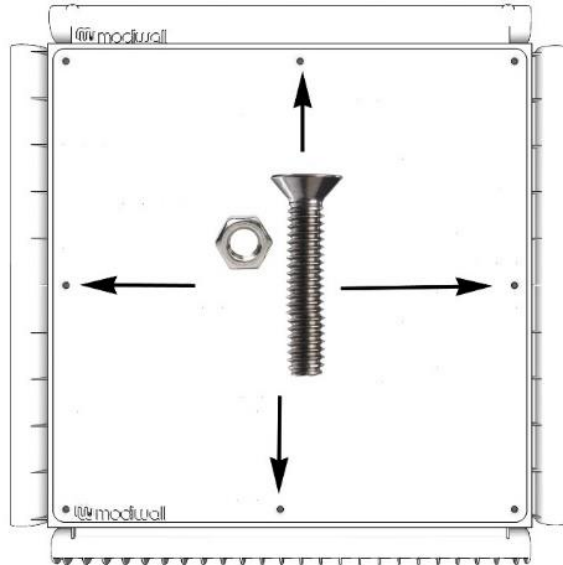
*It is a good idea to speak to your local nursery before purchasing the plants or installing the Modiwall panel. Find out what kind of plants grow well in the area. As well as what kind of conditions they prefer, depending on the location of your Vertical Garden (Full-sun, or shade). Also try to pick plants that grow fast and lush, that way your system will look fabulous in no time.*

**Important:** Purchase plants that will fit into the Modiwall pots

- 6 deep packs
- 10 cm potted plants
- 12 cm potted plants
- Some 1litre plants that can be split in two
- Seedlings
- Seeds

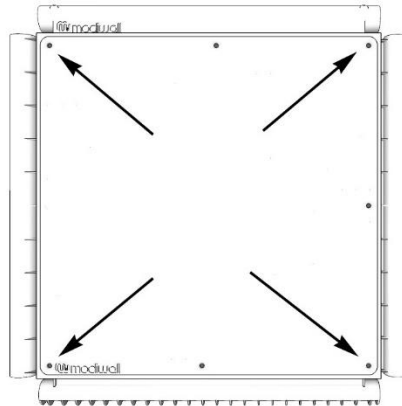
## Installation guide

Step 1. Put the front grid onto the main panel and fasten the screw and bolts on the sides to keep the grid and the panel together



Step 2. Hold panel in position on the wall or surface you plan on installing. Use a leveler and check that the panel is level

Step 3. Mark the 4 drill holes on the wall in the corners of the panel using a hammer and a star point screw driver

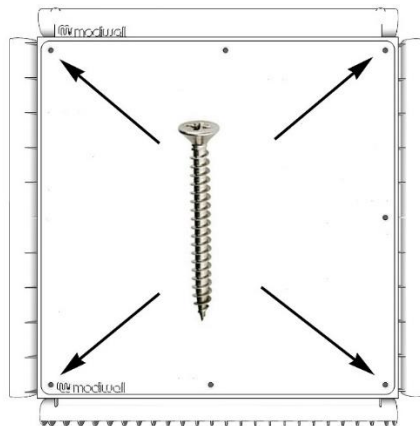


Step 4. Remove panel and drill 10mm holes

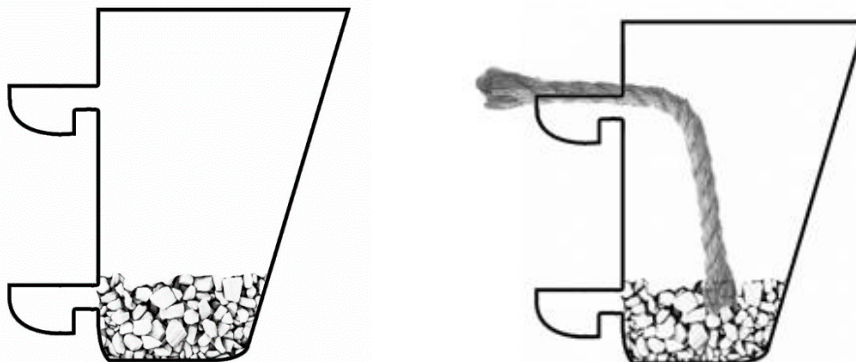
Step 5. Insert plugs into drilled holes

Step 6. Replace the panel over the holes

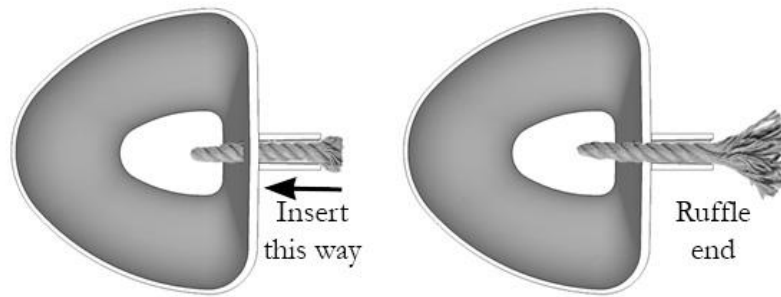
Step 7. Insert screws through both the front and back panels into the plugs and fasten



Step 8. Add a few small stones to the bottom of the pot for better drainage. Insert the green 'wicks' into the pots before the plants are inserted.



Step 9. The wick must protrude at least 2cm out from the pot clip. Ruffle up the end for better water absorption



Step 10. Plant the plants – If you bought pre-planted plants, don't remove the soil they are in. Plant them as is. Leave some space in the rim of the pot for water to accumulate and seep into the soil (Don't over-fill the pot with soil)

## Irrigation & Expansion

Irrigation pipe supplied: You can connect this to any standard 20mm fittings supplied by most hardware shops.



For example: Add a 20mm end-stop to one side of the feeder pipe, and a connector to the other side. Then connect your current irrigation system, or a hosepipe to feed water. This can also be connected to a tap-timer, so it can water itself.

**If you need any advice on how to do this, your local hardware store would be able to help. Alternatively contact Modiwall for assistance, see details below.**

If you want to expand the size of your Vertical Garden, or install automatic irrigation for your Modiwall panel, please visit [www.modiwall.com](http://www.modiwall.com) or contact the office on 012 661 0538 or [info@modiwall.com](mailto:info@modiwall.com) for assistance.