



**Volume**

**2**

MODIWALL (PTY) LTD

---

Modular Vertical Garden System

# Quick Installation Guide and General Instructions

# Plants

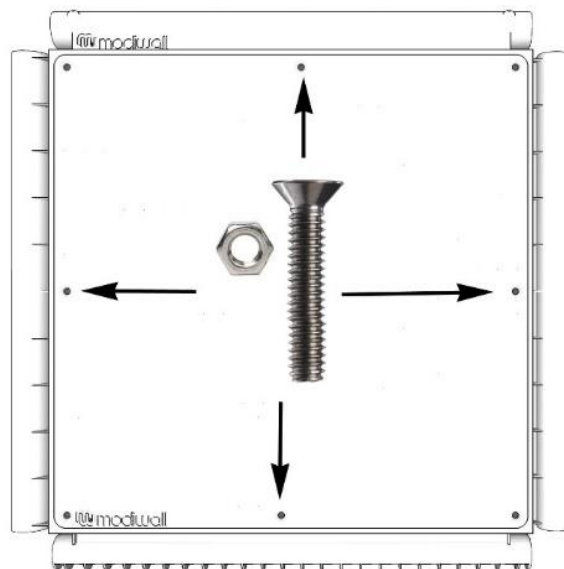
*It is a good idea to speak to your local nursery before purchasing the plants or installing the Modiwall panel. Find out what kind of plants grow well in the area. As well as what kind of conditions they prefer, depending on the location of your Vertical Garden (Full-sun, or shade). Also try to pick plants that grow fast and lush, that way your system will look fabulous in no time.*

Important: Purchase plants that will fit into the Modiwall pots

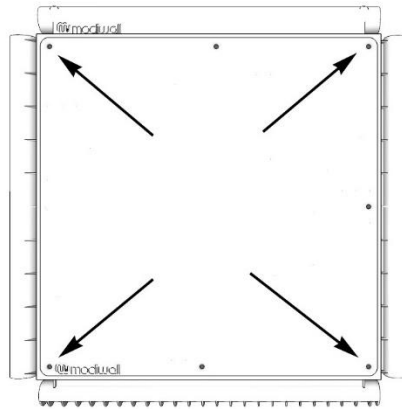
- 6 deep packs
- 10 cm potted plants
- 12 cm potted plants
- Some 1litre plants that can be split in two
- Seedlings
- Seeds

# Installation guide

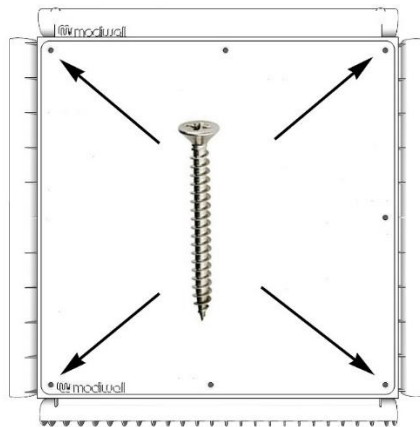
Step 1. Put the front grid onto the main panel and fasten the screw and bolts on the sides to keep the grid and the panel together



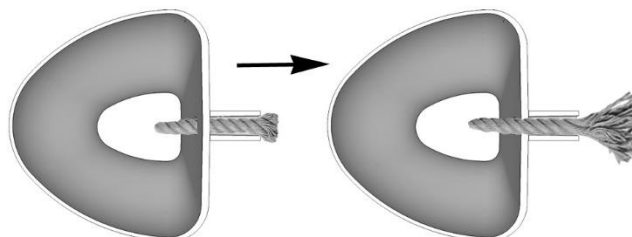
- Step 2. Hold panel in position on the wall or surface you plan on installing. Use a leveler and check that the panel is level
- Step 3. Mark the 4 drill holes on the wall in the corners of the panel using a hammer and a star point screw driver



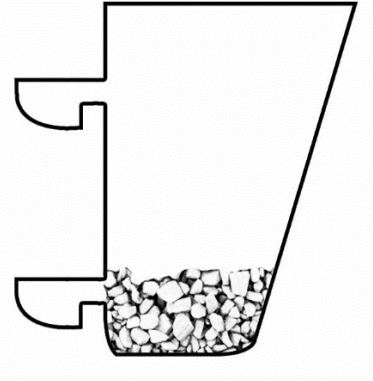
- Step 4. Remove panel and drill 10mm holes
- Step 5. Insert plugs into drilled holes
- Step 6. Replace the panel over the holes
- Step 7. Insert screws through both the front and back panels into the plugs and fasten



- Step 8. Insert the green 'wicks' into the pots before the plants are inserted. It must protrude at least 2cm out from the pot clip. Ruffle up the end for better water absorption



Step 9. Add a few small stones to the bottom of the pot for better drainage



Step 10. Plant the plants – If you bought pre-planted plants, don't remove the soil they are in. Plant them as is. Leave some space in the rim of the pot for water to accumulate and seep into the soil (Don't over-fill the pot with soil)

## ***Irrigation & Expansion***

Irrigation pipe supplied: You can connect this to any standard 20mm fittings supplied by most hardware shops. Add an end stop to one side, and connect the other side to an irrigation system, or a tap in your garden.



If you need any advice on how to do this, your local hardware store would be able to help. Alternatively contact Modiwall, see details below.

If you want to expand the size of your Vertical Garden, or install automatic irrigation for your Modiwall panel, please visit [www.modiwall.com](http://www.modiwall.com) or contact the office on 012 661 0538 or [info@modiwall.com](mailto:info@modiwall.com) for assistance.